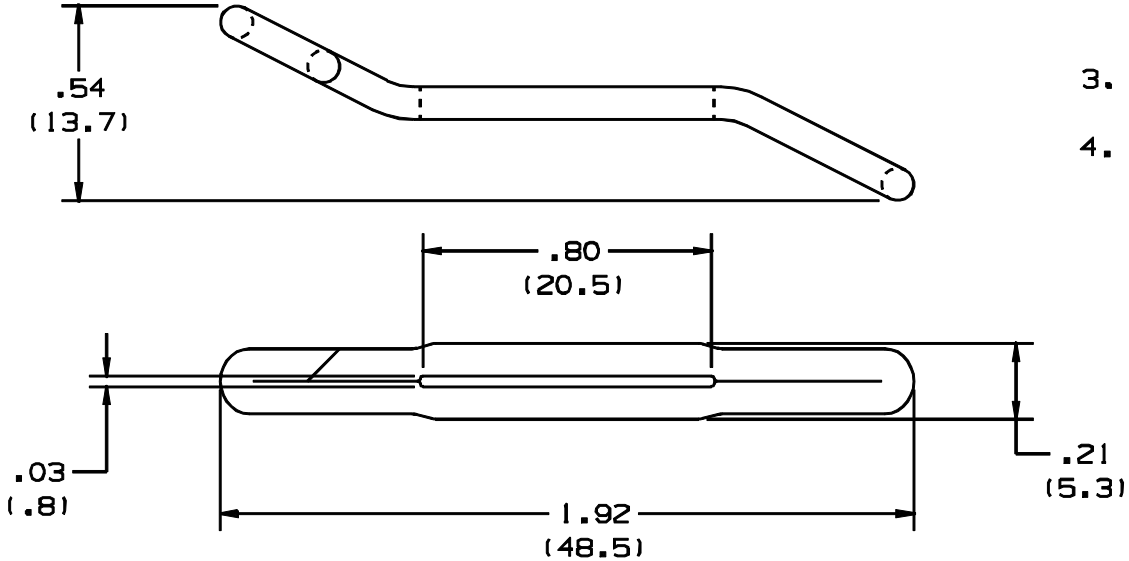


THIS COPY IS PROVIDED ON A RESTRICTED BASIS AND IS NOT TO BE USED IN ANY WAY DETRIMENTAL TO THE INTERESTS OF PANDUIT CORP.

- NOTES: 1. DIMENSIONAL TOLERANCES:
 .XX ±.02(0.5)
 .XXX ±.010(0.25)
2. USE WITH STANDARD MLTs,
 HOLE RANGE: .38(9.5) - .50(12.7).
 USE WITH HEAVY MLTs
 HOLE RANGE: .50(12.7) - .63(16.0).
3. DIMS IN () ARE mm.
4. PACKAGE QTY: Q = 25



S41076_01

								PANDUIT CORP. TINLEY PARK, ILLINOIS			
								THROUGH HOLE MOUNT MTMBH			
								UNLESS OTHERWISE SPECIFIED, DIMENSIONAL TOLERANCES ARE: (.X) ± (.XXX) ± (.XX) ± ANGLES ±			
								UNLESS OTHERWISE SPECIFIED, ALL DIMENSIONS ARE GIVEN IN INCHES, THIRD ANGLE PROJECTION.			
01	1/01	KMD		ADDED NOTE 4 CAD FILE SPEC WAS N41076SA_PCD_00				DRAWN BY BJO	MAT'L: 304 STAINLESS STEEL		SCALE 2X
00	11/92	BO	JAC	DRAWING RELEASED	01265	LA	GP	DATE 11/11/92			DRAWING NO. S41076
REV	DATE	BY	CHK	DESCRIPTION	ECN #	CUST	PM	CHK'D JAC			DWG A SIZE